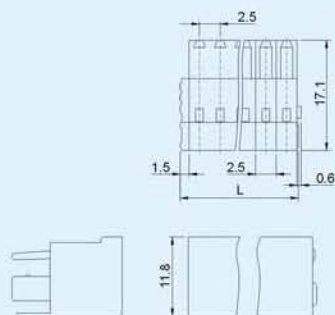




8EDGK-2.5



Pitch:2.5mm;Poles:2P~24P

● **Material**

Contact : Phospor Bronze
Wire guard: Stainless steel
Housing : PA66,UL94V-0

● **Electrical**

Rated voltage : 150V
Rated current : 4A
Contact resistance : 20mΩ
Insulation resistance: 5000MΩ/DC1000V
Withstanding voltage: AC2000V/1Min
Wire range : 28-20AWG 0.5mm²

● **Mechanical**

Temp.Range : -40°C~+105°C
Strip length : 7-8mm

● **材质及电镀**

触点材料: 磷青铜
簧片 : 不锈钢
塑件 : PA66, UL94V-0

● **电气性能**

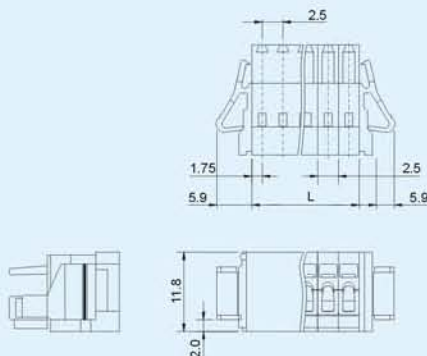
额定电压: 150V
额定电流: 4A
接触电阻: 20mΩ
绝缘电阻: 5000MΩ/DC1000V
耐电压 : AC2000V/1Min
使用线径: 28-20AWG 0.5mm²

● **机械性能**

温度范围: -40°C~+105°C
剥线长度: 7-8mm



8EDGKG-2.5



Pitch:2.5mm;Poles:2P~24P

● **Material**

Contact : Phospor Bronze
Wire guard: Stainless steel
Housing : PA66,UL94V-0

● **Electrical**

Rated voltage : 150V
Rated current : 4A
Contact resistance : 20mΩ
Insulation resistance: 5000MΩ/DC1000V
Withstanding voltage: AC2000V/1Min
Wire range : 28-20AWG 0.5mm²

● **Mechanical**

Temp.Range : -40°C~+105°C
Strip length : 7-8mm

● **材质及电镀**

触点材料: 磷青铜
簧片 : 不锈钢
塑件 : PA66, UL94V-0

● **电气性能**

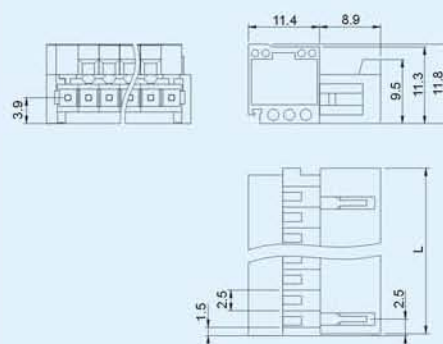
额定电压: 150V
额定电流: 4A
接触电阻: 20mΩ
绝缘电阻: 5000MΩ/DC1000V
耐电压 : AC2000V/1Min
使用线径: 28-20AWG 0.5mm²

● **机械性能**

温度范围: -40°C~+105°C
剥线长度: 7-8mm



8EDGKV-2.5



Pitch:2.5mm;Poles:2P~24P

● **Material**

Contact : Phospor Bronze
Wire guard: Stainless steel
Housing : PA66,UL94V-0

● **Electrical**

Rated voltage : 150V
Rated current : 4A
Contact resistance : 20mΩ
Insulation resistance: 5000MΩ/DC1000V
Withstanding voltage: AC2000V/1Min
Wire range : 28-20AWG 0.5mm²

● **Mechanical**

Temp.Range : -40°C~+105°C
Strip length : 7-8mm

● **材质及电镀**

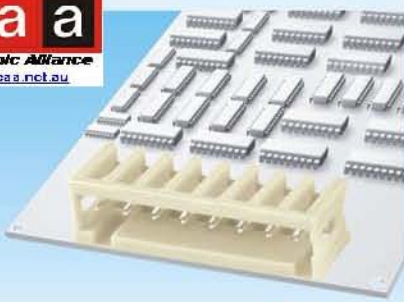
触点材料: 磷青铜
簧片 : 不锈钢
塑件 : PA66, UL94V-0

● **电气性能**

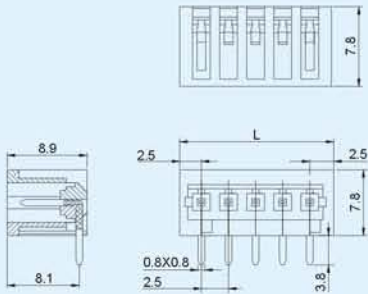
额定电压: 150V
额定电流: 4A
接触电阻: 20mΩ
绝缘电阻: 5000MΩ/DC1000V
耐电压 : AC2000V/1Min
使用线径: 28-20AWG 0.5mm²

● **机械性能**

温度范围: -40°C~+105°C
剥线长度: 7-8mm



8EDGRC-2.5



Pitch: 2.5mm; Poles: 2P~24P

● **Material**

Pin header : Brass, Tin plated
Housing : PA66, UL94V-0

● **Electrical**

Rated voltage : 150V
Rated current : 4A
Contact resistance : 20mΩ
Insulation resistance : 5000MΩ/DC1000V
Withstanding voltage: AC2000V/1Min

● **Mechanical**

Temp. Range : -40°C~+105°C

● **材质及电镀**

焊针 : 黄铜, 镀锡
塑件 : PA66, UL94V-0

● **电气性能**

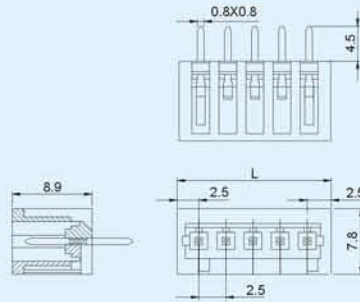
额定电压: 150V
额定电流: 4A
接触电阻: 20mΩ
绝缘电阻: 5000MΩ/DC1000V
耐电压 : AC2000V/1Min

● **机械性能**

温度范围: -40°C~+105°C



8EDGVC-2.5



Pitch: 2.5mm; Poles: 2P~24P

● **Material**

Pin header : Brass, Tin plated
Housing : PA66, UL94V-0

● **Electrical**

Rated voltage : 150V
Rated current : 4A
Contact resistance : 20mΩ
Insulation resistance : 5000MΩ/DC1000V
Withstanding voltage: AC2000V/1Min

● **Mechanical**

Temp. Range : -40°C~+105°C

● **材质及电镀**

焊针 : 黄铜, 镀锡
塑件 : PA66, UL94V-0

● **电气性能**

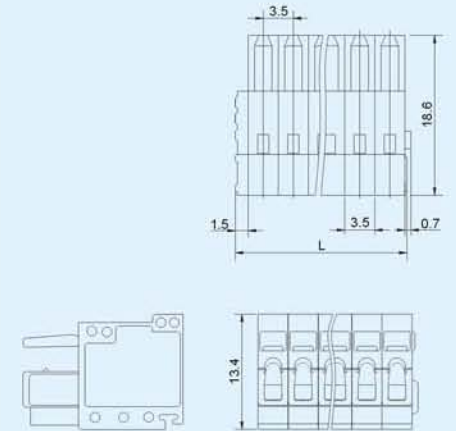
额定电压: 150V
额定电流: 4A
接触电阻: 20mΩ
绝缘电阻: 5000MΩ/DC1000V
耐电压 : AC2000V/1Min

● **机械性能**

温度范围: -40°C~+105°C



**8EDGK-3.5
8EDGK-3.81**



Pitch: 3.5mm, 3.81mm; Poles: 2P~24P

● **Material**

Contact : Phosphor Bronze
Wire guard: Stainless steel
Housing : PA66, UL94V-0

● **Electrical**

Rated voltage : 300V
Rated current : 8A
Contact resistance : 20mΩ
Insulation resistance : 5000MΩ/DC1000V
Withstanding voltage: AC2000V/1Min
Wire range : 28-14AWG 1.5mm²

● **Mechanical**

Temp. Range : -40°C~+105°C
Strip length : 7-8mm

● **材质及电镀**

触点材料: 磷青铜
簧片 : 不锈钢
塑件 : PA66, UL94V-0

● **电气性能**

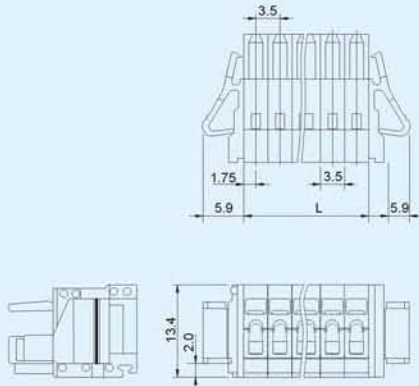
额定电压: 300V
额定电流: 8A
接触电阻: 20mΩ
绝缘电阻: 5000MΩ/DC1000V
耐电压 : AC2000V/1Min
使用线径: 28-14AWG 1.5mm²

● **机械性能**

温度范围: -40°C~+105°C
剥线长度: 7-8mm



8EDGKG-3.5
8EDGKG-3.81



Pitch: 3.5mm, 3.81mm; Poles: 2P~24P

● **Material**

Contact : Phosphor Bronze
Wire guard : Stainless steel
Housing : PA66, UL94V-0

● **Electrical**

Rated voltage : 300V
Rated current : 8A
Contact resistance : 20mΩ
Insulation resistance : 5000MΩ/DC1000V
Withstanding voltage : AC2000V/1Min
Wire range : 28-14AWG 1.5mm²

● **Mechanical**

Temp. Range : -40°C~+105°C
Strip length : 7-8mm

● **材质及电镀**

触点材料 : 磷青铜
簧片 : 不锈钢
塑件 : PA66, UL94V-0

● **电气性能**

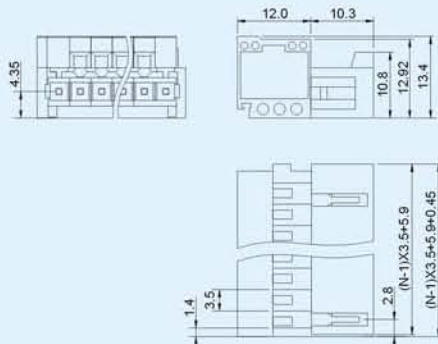
额定电压 : 300V
额定电流 : 8A
接触电阻 : 20mΩ
绝缘电阻 : 5000MΩ/DC1000V
耐电压 : AC2000V/1Min
使用线径 : 28-14AWG 1.5mm²

● **机械性能**

温度范围 : -40°C~+105°C
剥线长度 : 7-8mm



8EDGKV-3.5
8EDGKV-3.81



Pitch: 3.5mm, 3.81mm; Poles: 2P~24P

● **Material**

Contact : Phosphor Bronze
Wire guard : Stainless steel
Housing : PA66, UL94V-0

● **Electrical**

Rated voltage : 300V
Rated current : 8A
Contact resistance : 20mΩ
Insulation resistance : 5000MΩ/DC1000V
Withstanding voltage : AC2000V/1Min
Wire range : 28-14AWG 1.5mm²

● **Mechanical**

Temp. Range : -40°C~+105°C
Strip length : 7-8mm

● **材质及电镀**

触点材料 : 磷青铜
簧片 : 不锈钢
塑件 : PA66, UL94V-0

● **电气性能**

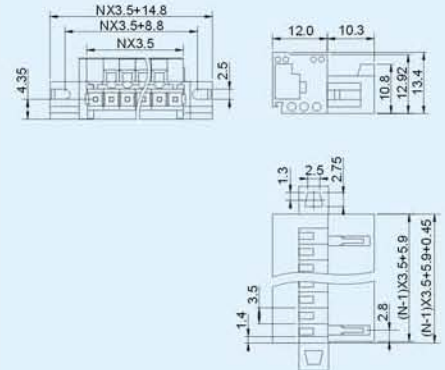
额定电压 : 300V
额定电流 : 8A
接触电阻 : 20mΩ
绝缘电阻 : 5000MΩ/DC1000V
耐电压 : AC2000V/1Min
使用线径 : 28-14AWG 1.5mm²

● **机械性能**

温度范围 : -40°C~+105°C
剥线长度 : 7-8mm



8EDGKVM-3.5
8EDGKVM-3.81



Pitch: 3.5mm, 3.81mm; Poles: 2P~24P

● **Material**

Contact : Phosphor Bronze
Wire guard : Stainless steel
Housing : PA66, UL94V-0

● **Electrical**

Rated voltage : 300V
Rated current : 8A
Contact resistance : 20mΩ
Insulation resistance : 5000MΩ/DC1000V
Withstanding voltage : AC2000V/1Min
Wire range : 28-14AWG 1.5mm²

● **Mechanical**

Temp. Range : -40°C~+105°C
Strip length : 7-8mm

● **材质及电镀**

触点材料 : 磷青铜
簧片 : 不锈钢
塑件 : PA66, UL94V-0

● **电气性能**

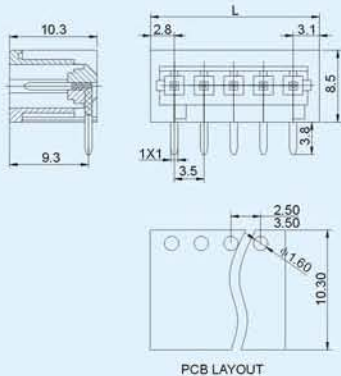
额定电压 : 300V
额定电流 : 8A
接触电阻 : 20mΩ
绝缘电阻 : 5000MΩ/DC1000V
耐电压 : AC2000V/1Min
使用线径 : 28-14AWG 1.5mm²

● **机械性能**

温度范围 : -40°C~+105°C
剥线长度 : 7-8mm



8EDGRC-3.5
8EDGRC-3.81



Pitch: 3.5mm, 3.81mm; Poles: 2P~24P

● **Material**

Pin header : Brass, Tin plated
Housing : PA66, UL94V-0

● **Electrical**

Rated voltage : 300V
Rated current : 8A
Contact resistance : 20mΩ
Insulation resistance : 5000MΩ/DC1000V
Withstanding voltage: AC2000V/1Min

● **Mechanical**

Temp. Range : -40°C~+105°C

● **材质及电镀**

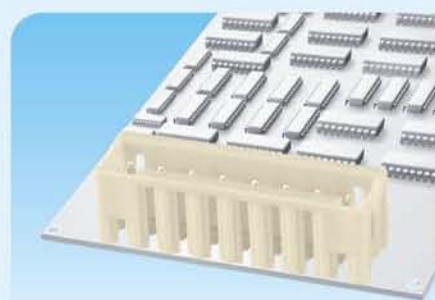
焊针 : 黄铜, 镀锡
塑件 : PA66, UL94V-0

● **电气性能**

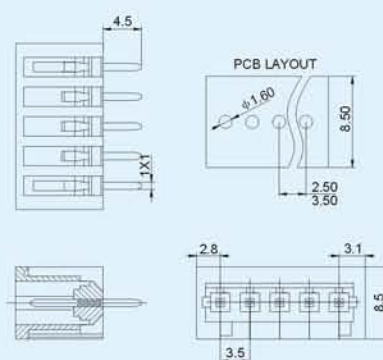
额定电压: 300V
额定电流: 8A
接触电阻: 20mΩ
绝缘电阻: 5000MΩ/DC1000V
耐电压 : AC2000V/1Min

● **机械性能**

温度范围: -40°C~+105°C



8EDGVC-3.5
8EDGVC-3.81



Pitch: 3.5mm, 3.81mm; Poles: 2P~24P

● **Material**

Pin header : Brass, Tin plated
Housing : PA66, UL94V-0

● **Electrical**

Rated voltage : 300V
Rated current : 8A
Contact resistance : 20mΩ
Insulation resistance : 5000MΩ/DC1000V
Withstanding voltage: AC2000V/1Min

● **Mechanical**

Temp. Range : -40°C~+105°C

● **材质及电镀**

焊针 : 黄铜, 镀锡
塑件 : PA66, UL94V-0

● **电气性能**

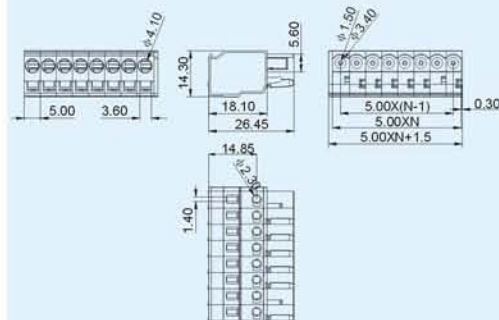
额定电压: 300V
额定电流: 8A
接触电阻: 20mΩ
绝缘电阻: 5000MΩ/DC1000V
耐电压 : AC2000V/1Min

● **机械性能**

温度范围: -40°C~+105°C



8EDGK-5.0 **8EDGK-5.08**
8EDGK-7.5 **8EDGK-7.62**



Pitch: 5.0mm, 5.08mm, 7.5mm, 7.62mm;
Poles: 2P~24P

● **Material**

Contact : Phosphor Bronze
Wireguard : Stainless steel
Housing : PA66, UL94V-0

● **Electrical**

Rated voltage : 300V
Rated current : 15A
Contact resistance : 20mΩ
Insulation resistance : 5000MΩ/DC1000V
Withstanding voltage: AC2000V/1Min
Wire range : 28-12AWG 2.5mm²

● **Mechanical**

Temp. Range : -40°C~+105°C
Strip length : 8-9mm

● **材质及电镀**

触点材料: 磷青铜
簧片 : 不锈钢
塑件 : PA66, UL94V-0

● **电气性能**

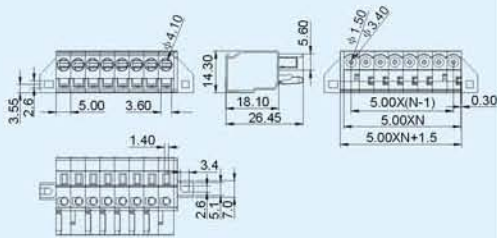
额定电压: 300V
额定电流: 15A
接触电阻: 20mΩ
绝缘电阻: 5000MΩ/DC1000V
耐电压 : AC2000V/1Min
使用线径: 28-12AWG 2.5mm²

● **机械性能**

温度范围: -40°C~+105°C
剥线长度: 8-9mm



8EDGKMA-5.0 8EDGKMA-5.08
8EDGKMA-7.5 8EDGKMA-7.62



Pitch: 5.0mm, 5.08mm, 7.5mm, 7.62mm;
Poles: 2P~24P

Material

Contact : Phospor Bronze
Wire guard : Stainless steel
Housing : PA66, UL94V-0

Electrical

Rated voltage : 300V
Rated current : 15A
Contact resistance : 20mΩ
Insulation resistance : 5000MΩ/DC1000V
Withstanding voltage: AC2000V/1Min
Wire range : 28-12AWG 2.5mm²

Mechanical

Temp. Range : -40°C~+105°C
Strip length : 8-9mm

材质及电镀

触点材料 : 磷青铜
簧片 : 不锈钢
塑件 : PA66, UL94V-0

电气性能

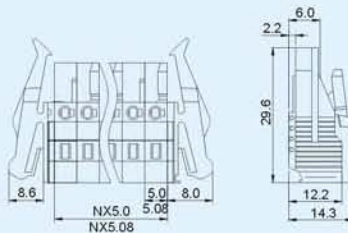
额定电压 : 300V
额定电流 : 15A
接触电阻 : 20mΩ
绝缘电阻 : 5000MΩ/DC1000V
耐电压 : AC2000V/1Min
使用线径 : 28-12AWG 2.5mm²

机械性能

温度范围 : -40°C~+105°C
剥线长度 : 8-9mm



8EDGKG-5.0 8EDGKG-5.08
8EDGKG-7.5 8EDGKG-7.62



Pitch: 5.0mm, 5.08mm, 7.5mm, 7.62mm;
Poles: 2P~24P

Material

Contact : Phospor Bronze
Wire guard : Stainless steel
Housing : PA66, UL94V-0

Electrical

Rated voltage : 300V
Rated current : 15A
Contact resistance : 20mΩ
Insulation resistance : 5000MΩ/DC1000V
Withstanding voltage: AC2000V/1Min
Wire range : 28-12AWG 2.5mm²

Mechanical

Temp. Range : -40°C~+105°C
Strip length : 8-9mm

材质及电镀

触点材料 : 磷青铜
簧片 : 不锈钢
塑件 : PA66, UL94V-0

电气性能

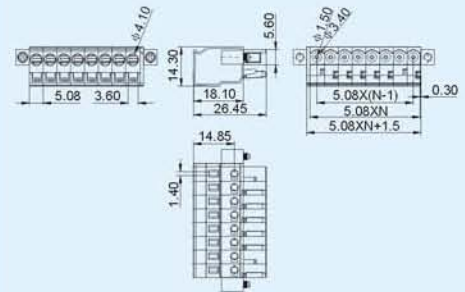
额定电压 : 300V
额定电流 : 15A
接触电阻 : 20mΩ
绝缘电阻 : 5000MΩ/DC1000V
耐电压 : AC2000V/1Min
使用线径 : 28-12AWG 2.5mm²

机械性能

温度范围 : -40°C~+105°C
剥线长度 : 8-9mm



8EDGKMB-5.08



Pitch: 5.08mm; Poles: 2P~22P

Material

Contact : Phospor Bronze
Wire guard : Stainless steel
Housing : PA66, UL94V-0

Electrical

Rated voltage : 300V
Rated current : 15A
Contact resistance : 20mΩ
Insulation resistance : 5000MΩ/DC1000V
Withstanding voltage: AC2000V/1Min
Wire range : 28-12AWG 2.5mm²

Mechanical

Temp. Range : -40°C~+105°C
Strip length : 8-9mm

材质及电镀

触点材料 : 磷青铜
簧片 : 不锈钢
塑件 : PA66, UL94V-0

电气性能

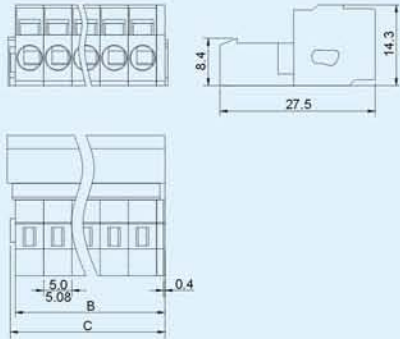
额定电压 : 300V
额定电流 : 15A
接触电阻 : 20mΩ
绝缘电阻 : 5000MΩ/DC1000V
耐电压 : AC2000V/1Min
使用线径 : 28-12AWG 2.5mm²

机械性能

温度范围 : -40°C~+105°C
剥线长度 : 8-9mm



8EDGKV-5.0 8EDGKV-5.08
8EDGKV-7.5 8EDGKV-7.62



Pitch: 5.0mm, 5.08mm, 7.5mm, 7.62mm;
Poles: 2P~24P

Material

Contact : Phosphor Bronze
Wire guard: Stainless steel
Housing : PA66, UL94V-0

Electrical

Rated voltage : 300V
Rated current : 15A
Contact resistance : 20mΩ
Insulation resistance: 5000MΩ/DC1000V
Withstanding voltage: AC2000V/1Min
Wire range : 28-12AWG 2.5mm²

Mechanical

Temp. Range : -40°C~+105°C
Strip length : 8-9mm

材质及电镀

触点材料: 磷青铜
簧片 : 不锈钢
塑件 : PA66, UL94V-0

电气性能

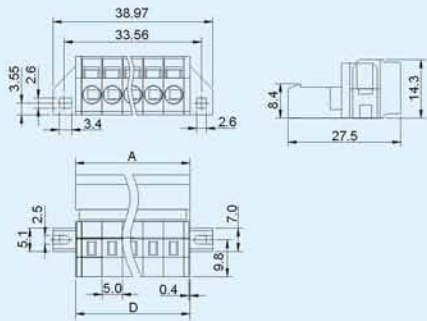
额定电压: 300V
额定电流: 15A
接触电阻: 20mΩ
绝缘电阻: 5000MΩ/DC1000V
耐电压 : AC2000V/1Min
使用线径: 28-12AWG 2.5mm²

机械性能

温度范围: -40°C~+105°C
剥线长度: 8-9mm



8EDGKVA-5.0 8EDGKVA-5.08
8EDGKVA-7.5 8EDGKVA-7.62



Pitch: 5.0mm, 5.08mm, 7.5mm, 7.62mm;
Poles: 2P~24P

Material

Contact : Phosphor Bronze
Wire guard: Stainless steel
Housing : PA66, UL94V-0

Electrical

Rated voltage : 300V
Rated current : 15A
Contact resistance : 20mΩ
Insulation resistance: 5000MΩ/DC1000V
Withstanding voltage: AC2000V/1Min
Wire range : 28-12AWG 2.5mm²

Mechanical

Temp. Range : -40°C~+105°C
Strip length : 8-9mm

材质及电镀

触点材料: 磷青铜
簧片 : 不锈钢
塑件 : PA66, UL94V-0

电气性能

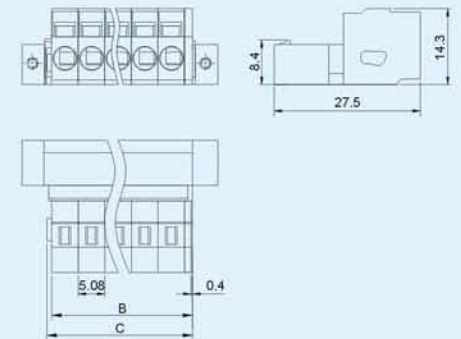
额定电压: 300V
额定电流: 15A
接触电阻: 20mΩ
绝缘电阻: 5000MΩ/DC1000V
耐电压 : AC2000V/1Min
使用线径: 28-12AWG 2.5mm²

机械性能

温度范围: -40°C~+105°C
剥线长度: 8-9mm



8EDGKVA-5.08



Pitch: 5.08mm; Poles: 2P~22P

Material

Contact : Phosphor Bronze
Wire guard: Stainless steel
Housing : PA66, UL94V-0

Electrical

Rated voltage : 300V
Rated current : 15A
Contact resistance : 20mΩ
Insulation resistance: 5000MΩ/DC1000V
Withstanding voltage: AC2000V/1Min
Wire range : 28-12AWG 2.5mm²

Mechanical

Temp. Range : -40°C~+105°C
Strip length : 8-9mm

材质及电镀

触点材料: 磷青铜
簧片 : 不锈钢
塑件 : PA66, UL94V-0

电气性能

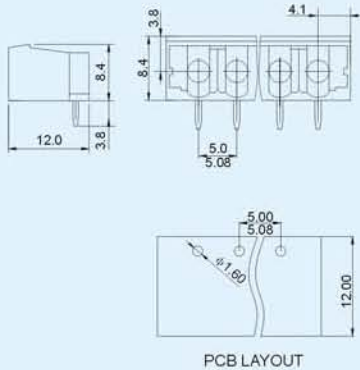
额定电压: 300V
额定电流: 15A
接触电阻: 20mΩ
绝缘电阻: 5000MΩ/DC1000V
耐电压 : AC2000V/1Min
使用线径: 28-12AWG 2.5mm²

机械性能

温度范围: -40°C~+105°C
剥线长度: 8-9mm



8EDGRC-5.0 8EDGRC-5.08
8EDGRC-7.5 8EDGRC-7.62



Pitch:5.0mm,5.08mm,7.5mm,7.62mm;
Poles:2P~24P

● **Material**

Pin header : Brass, Tin plated
Housing : PA66, UL94V-0

● **Electrical**

Rated voltage : 300V
Rated current : 15A
Contact resistance : 20mΩ
Insulation resistance : 5000MΩ/DC1000V
Withstanding voltage: AC2000V/1Min

● **Mechanical**

Temp.Range : -40°C~+105°C

● **材质及电镀**

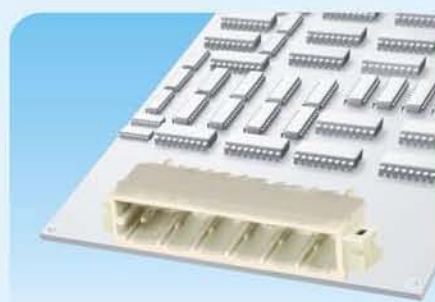
焊针 : 黄铜, 镀锡
塑件 : PA66, UL94V-0

● **电气性能**

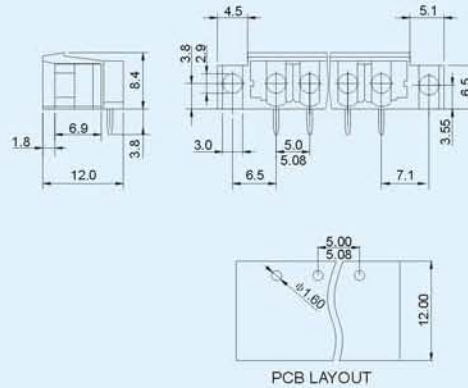
额定电压: 300V
额定电流: 15A
接触电阻: 20mΩ
绝缘电阻: 5000MΩ/DC1000V
耐电压 : AC2000V/1Min

● **机械性能**

温度范围: -40°C~+105°C



8EDGRMA-5.0 8EDGRMA-5.08
8EDGRMA-7.5 8EDGRMA-7.62



Pitch:5.0mm,5.08mm,7.5mm,7.62mm;
Poles:2P~24P

● **Material**

Pin header : Brass, Tin plated
Housing : PA66, UL94V-0

● **Electrical**

Rated voltage : 300V
Rated current : 15A
Contact resistance : 20mΩ
Insulation resistance : 5000MΩ/DC1000V
Withstanding voltage: AC2000V/1Min

● **Mechanical**

Temp.Range : -40°C~+105°C

● **材质及电镀**

焊针 : 黄铜, 镀锡
塑件 : PA66, UL94V-0

● **电气性能**

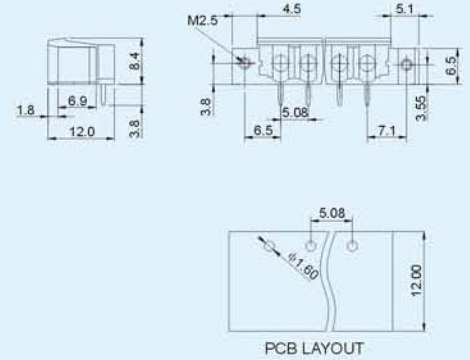
额定电压: 300V
额定电流: 15A
接触电阻: 20mΩ
绝缘电阻: 5000MΩ/DC1000V
耐电压 : AC2000V/1Min

● **机械性能**

温度范围: -40°C~+105°C



8EDGRMB-5.08



Pitch:5.08mm;Poles:2P~22P

● **Material**

Pin header : Brass, Tin plated
Housing : PA66, UL94V-0

● **Electrical**

Rated voltage : 300V
Rated current : 15A
Contact resistance : 20mΩ
Insulation resistance : 5000MΩ/DC1000V
Withstanding voltage: AC2000V/1Min

● **Mechanical**

Temp.Range : -40°C~+105°C

● **材质及电镀**

焊针 : 黄铜, 镀锡
塑件 : PA66, UL94V-0

● **电气性能**

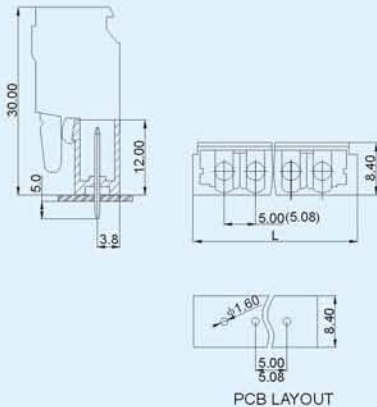
额定电压: 300V
额定电流: 15A
接触电阻: 20mΩ
绝缘电阻: 5000MΩ/DC1000V
耐电压 : AC2000V/1Min

● **机械性能**

温度范围: -40°C~+105°C



8EDGVC-5.0 8EDGVC-5.08
8EDGVC-7.5 8EDGVC-7.62



Pitch: 5.0mm, 5.08mm, 7.5mm, 7.62mm;
Poles: 2P~24P

Material

Pin header : Brass, Tin plated
Housing : PA66, UL94V-0

Electrical

Rated voltage : 300V
Rated current : 15A
Contact resistance : 20mΩ
Insulation resistance : 5000MΩ/DC1000V
Withstanding voltage: AC2000V/1Min

Mechanical

Temp. Range : -40°C~+105°C

材质及电镀

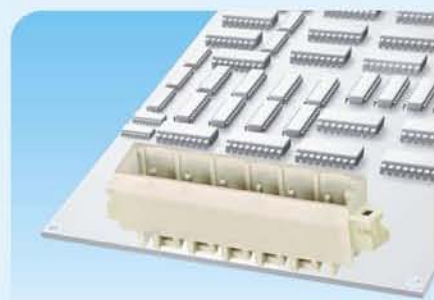
焊针 : 黄铜, 镀锡
塑件 : PA66, UL94V-0

电气性能

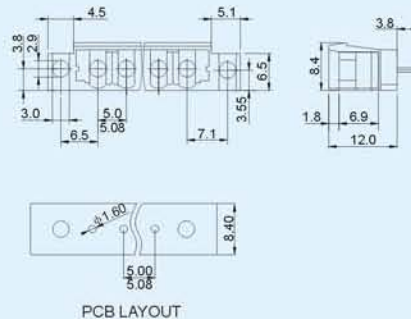
额定电压: 300V
额定电流: 15A
接触电阻: 20mΩ
绝缘电阻: 5000MΩ/DC1000V
耐电压 : AC2000V/1Min

机械性能

温度范围: -40°C~+105°C



8EDGVMA-5.0 8EDGVMA-5.08
8EDGVMA-7.5 8EDGVMA-7.62



Pitch: 5.0mm, 5.08mm, 7.5mm, 7.62mm;
Poles: 2P~24P

Material

Pin header : Brass, Tin plated
Housing : PA66, UL94V-0

Electrical

Rated voltage : 300V
Rated current : 15A
Contact resistance : 20mΩ
Insulation resistance : 5000MΩ/DC1000V
Withstanding voltage: AC2000V/1Min

Mechanical

Temp. Range : -40°C~+105°C

材质及电镀

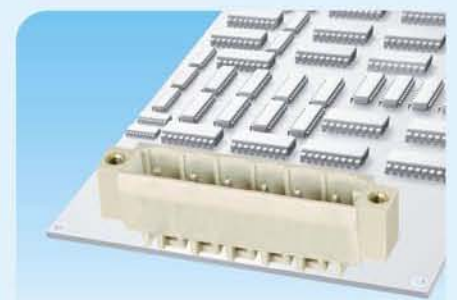
焊针 : 黄铜, 镀锡
塑件 : PA66, UL94V-0

电气性能

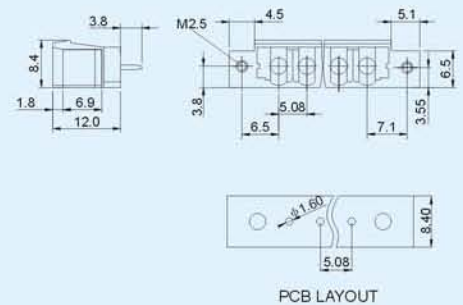
额定电压: 300V
额定电流: 15A
接触电阻: 20mΩ
绝缘电阻: 5000MΩ/DC1000V
耐电压 : AC2000V/1Min

机械性能

温度范围: -40°C~+105°C



8EDGVMB-5.08



Pitch: 5.08mm; Poles: 2P~22P

Material

Pin header : Brass, Tin plated
Housing : PA66, UL94V-0

Electrical

Rated voltage : 300V
Rated current : 15A
Contact resistance : 20mΩ
Insulation resistance : 5000MΩ/DC1000V
Withstanding voltage: AC2000V/1Min

Mechanical

Temp. Range : -40°C~+105°C

材质及电镀

焊针 : 黄铜, 镀锡
塑件 : PA66, UL94V-0

电气性能

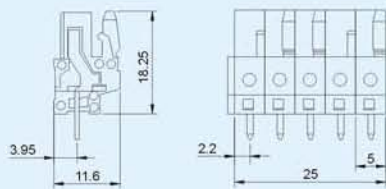
额定电压: 300V
额定电流: 15A
接触电阻: 20mΩ
绝缘电阻: 5000MΩ/DC1000V
耐电压 : AC2000V/1Min

机械性能

温度范围: -40°C~+105°C



8EDGA-5.0
8EDGA-5.08



Pitch:5.0mm,5.08mm
Poles:2P~24P

● **Material**

Contact : Phospor Bronze
Housing : PA66,UL94V-0

● **Electrical**

Rated voltage : 300V
Rated current : 15A
Contact resistance : 20mΩ
Insulation resistance : 5000MΩ/DC1000V
Withstanding voltage: AC2000V/1Min

● **Mechanical**

Temp.Range : -40°C~+105°C
Strip length : 8-9mm

● **材质及电镀**

触点材料: 磷青铜
塑件 : PA66, UL94V-0

● **电气性能**

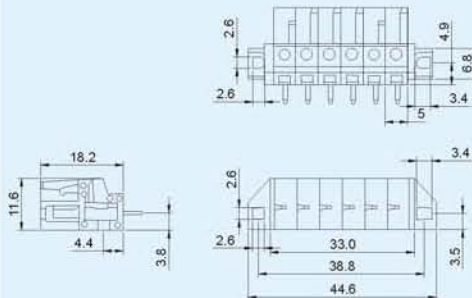
额定电压: 300V
额定电流: 15A
接触电阻: 20mΩ
绝缘电阻: 5000MΩ/DC1000V
耐电压 : AC2000V/1Min

● **机械性能**

温度范围: -40°C~+105°C
剥线长度: 8-9mm



8EDGAM-5.0
8EDGAM-5.08



Pitch:5.0mm,5.08mm
Poles:2P~24P

● **Material**

Contact : Phospor Bronze
Housing : PA66,UL94V-0

● **Electrical**

Rated voltage : 300V
Rated current : 15A
Contact resistance : 20mΩ
Insulation resistance : 5000MΩ/DC1000V
Withstanding voltage: AC2000V/1Min

● **Mechanical**

Temp.Range : -40°C~+105°C
Strip length : 8-9mm

● **材质及电镀**

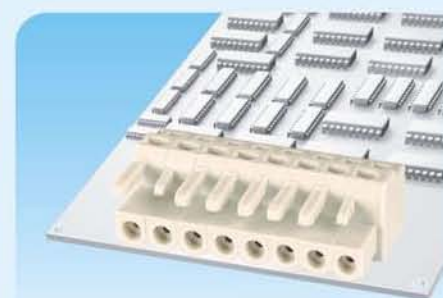
触点材料: 磷青铜
塑件 : PA66, UL94V-0

● **电气性能**

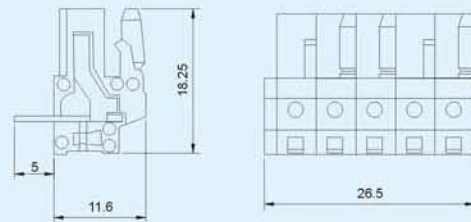
额定电压: 300V
额定电流: 15A
接触电阻: 20mΩ
绝缘电阻: 5000MΩ/DC1000V
耐电压 : AC2000V/1Min

● **机械性能**

温度范围: -40°C~+105°C
剥线长度: 8-9mm



8EDGB-5.0
8EDGB-5.08



Pitch:5.0mm,5.08mm
Poles:2P~24P

● **Material**

Contact : Phospor Bronze
Housing : PA66,UL94V-0

● **Electrical**

Rated voltage : 300V
Rated current : 15A
Contact resistance : 20mΩ
Insulation resistance : 5000MΩ/DC1000V
Withstanding voltage: AC2000V/1Min

● **Mechanical**

Temp.Range : -40°C~+105°C
Strip length : 8-9mm

● **材质及电镀**

触点材料: 磷青铜
塑件 : PA66, UL94V-0

● **电气性能**

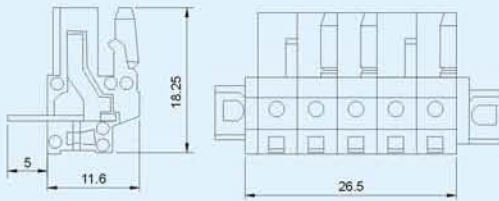
额定电压: 300V
额定电流: 15A
接触电阻: 20mΩ
绝缘电阻: 5000MΩ/DC1000V
耐电压 : AC2000V/1Min

● **机械性能**

温度范围: -40°C~+105°C
剥线长度: 8-9mm



8EDGBM-5.0
8EDGBM-5.08



Pitch: 5.0mm, 5.08mm
Poles: 2P~24P

● **Material**

Contact : Phosphor Bronze
Housing : PA66, UL94V-0

● **Electrical**

Rated voltage : 300V
Rated current : 15A
Contact resistance : 20mΩ
Insulation resistance : 5000MΩ/DC1000V
Withstanding voltage: AC2000V/1Min

● **Mechanical**

Temp. Range : -40°C~+105°C
Strip length : 8-9mm

● **材质及电镀**

触点材料: 磷青铜
塑件 : PA66, UL94V-0

● **电气性能**

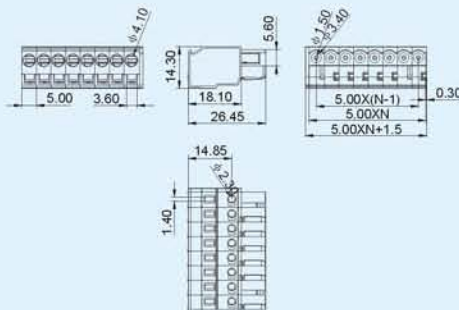
额定电压: 300V
额定电流: 15A
接触电阻: 20mΩ
绝缘电阻: 5000MΩ/DC1000V
耐电压 : AC2000V/1Min

● **机械性能**

温度范围: -40°C~+105°C
剥线长度: 8-9mm



8EDGKB-5.0
8EDGKB-7.5



Pitch: 5.0mm, 7.5mm; Poles: 2P~24P

● **Material**

Contact : Phosphor Bronze
Wire guard : Stainless steel
Housing : PA66, UL94V-0

● **Electrical**

Rated voltage : 300V
Rated current : 15A
Contact resistance : 20mΩ
Insulation resistance : 5000MΩ/DC1000V
Withstanding voltage: AC2000V/1Min
Wire range : 28-12AWG 2.5mm²

● **Mechanical**

Temp. Range : -40°C~+105°C
Strip length : 8-9mm

● **材质及电镀**

触点材料: 磷青铜
簧片 : 不锈钢
塑件 : PA66, UL94V-0

● **电气性能**

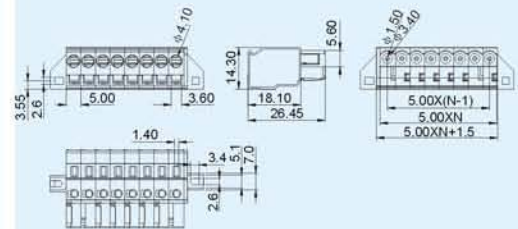
额定电压: 300V
额定电流: 15A
接触电阻: 20mΩ
绝缘电阻: 5000MΩ/DC1000V
耐电压 : AC2000V/1Min
使用线径: 28-12AWG 2.5mm²

● **机械性能**

温度范围: -40°C~+105°C
剥线长度: 8-9mm



8EDGKBM-5.0
8EDGKBM-7.5



Pitch: 5.0mm, 7.5mm; Poles: 2P~24P

● **Material**

Contact : Phosphor Bronze
Wire guard : Stainless steel
Housing : PA66, UL94V-0

● **Electrical**

Rated voltage : 300V
Rated current : 15A
Contact resistance : 20mΩ
Insulation resistance : 5000MΩ/DC1000V
Withstanding voltage: AC2000V/1Min
Wire range : 28-12AWG 2.5mm²

● **Mechanical**

Temp. Range : -40°C~+105°C
Strip length : 8-9mm

● **材质及电镀**

触点材料: 磷青铜
簧片 : 不锈钢
塑件 : PA66, UL94V-0

● **电气性能**

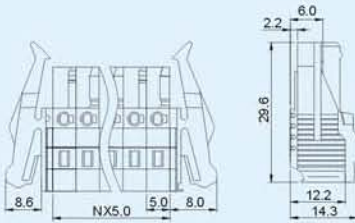
额定电压: 300V
额定电流: 15A
接触电阻: 20mΩ
绝缘电阻: 5000MΩ/DC1000V
耐电压 : AC2000V/1Min
使用线径: 28-12AWG 2.5mm²

● **机械性能**

温度范围: -40°C~+105°C
剥线长度: 8-9mm



8EDGKBG-5.0
8EDGKBG-7.5



Pitch:5.0mm,7.5mm;Poles:2P~24P

● **Material**

Contact : Phosor Bronze
Wire guard : Stainless steel
Housing : PA66,UL94V-0

● **Electrical**

Rated voltage : 300V
Rated current : 15A
Contact resistance : 20mΩ
Insulation resistance : 5000MΩ/DC1000V
Withstanding voltage: AC2000V/1Min
Wire range : 28-12AWG 2.5mm²

● **Mechanical**

Temp.Range : -40°C~+105°C
Strip length : 8-9mm

● **材质及电镀**

触点材料: 磷青铜
簧片 : 不锈钢
塑件 : PA66, UL94V-0

● **电气性能**

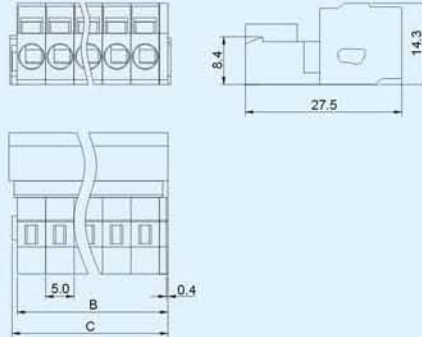
额定电压: 300V
额定电流: 15A
接触电阻: 20mΩ
绝缘电阻: 5000MΩ/DC1000V
耐电压 : AC2000V/1Min
使用线径: 28-12AWG 2.5mm²

● **机械性能**

温度范围: -40°C~+105°C
剥线长度: 8-9mm



8EDGKBV-5.0
8EDGKBV-7.5



Pitch:5.0mm,7.5mm;Poles:2P~24P

● **Material**

Contact : Phosor Bronze
Wire guard : Stainless steel
Housing : PA66,UL94V-0

● **Electrical**

Rated voltage : 300V
Rated current : 15A
Contact resistance : 20mΩ
Insulation resistance : 5000MΩ/DC1000V
Withstanding voltage: AC2000V/1Min
Wire range : 28-12AWG 2.5mm²

● **Mechanical**

Temp.Range : -40°C~+105°C
Strip length : 8-9mm

● **材质及电镀**

触点材料: 磷青铜
簧片 : 不锈钢
塑件 : PA66, UL94V-0

● **电气性能**

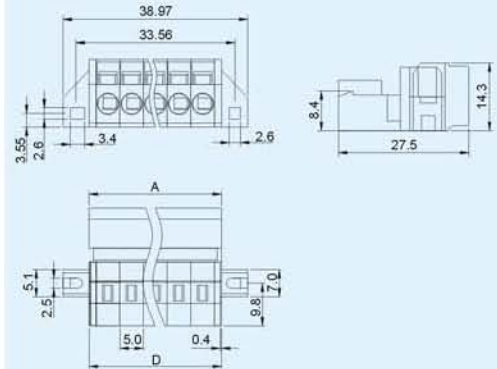
额定电压: 300V
额定电流: 15A
接触电阻: 20mΩ
绝缘电阻: 5000MΩ/DC1000V
耐电压 : AC2000V/1Min
使用线径: 28-12AWG 2.5mm²

● **机械性能**

温度范围: -40°C~+105°C
剥线长度: 8-9mm



8EDGKBVM-5.0
8EDGKBVM-7.5



Pitch:5.0mm,7.5mm;Poles:2P~24P

● **Material**

Contact : Phosor Bronze
Wire guard : Stainless steel
Housing : PA66,UL94V-0

● **Electrical**

Rated voltage : 300V
Rated current : 15A
Contact resistance : 20mΩ
Insulation resistance : 5000MΩ/DC1000V
Withstanding voltage: AC2000V/1Min
Wire range : 28-12AWG 2.5mm²

● **Mechanical**

Temp.Range : -40°C~+105°C
Strip length : 8-9mm

● **材质及电镀**

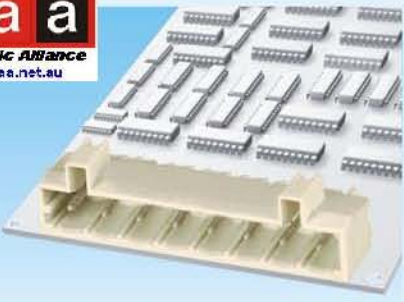
触点材料: 磷青铜
簧片 : 不锈钢
塑件 : PA66, UL94V-0

● **电气性能**

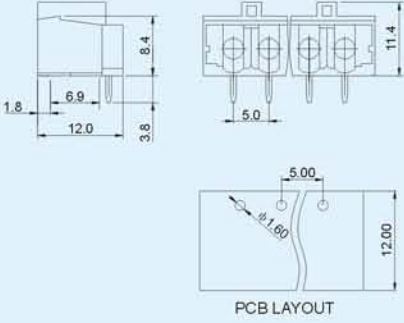
额定电压: 300V
额定电流: 15A
接触电阻: 20mΩ
绝缘电阻: 5000MΩ/DC1000V
耐电压 : AC2000V/1Min
使用线径: 28-12AWG 2.5mm²

● **机械性能**

温度范围: -40°C~+105°C
剥线长度: 8-9mm



8EDGRCB-5.0
8EDGRCB-7.5

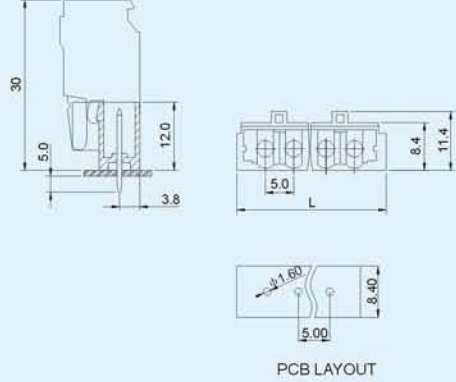


Pitch:5.0mm,7.5mm;Poles:2P~24P

- **Material**
Pin header : Brass, Tin plated
Housing : PA66, UL94V-0
- **Electrical**
Rated voltage : 300V
Rated current : 15A
Contact resistance : 20mΩ
Insulation resistance : 5000MΩ/DC1000V
Withstanding voltage: AC2000V/1Min
- **Mechanical**
Temp.Range : -40°C~+105°C
- **材质及电镀**
焊针 : 黄铜, 镀锡
塑件 : PA66, UL94V-0
- **电气性能**
额定电压: 300V
额定电流: 15A
接触电阻: 20mΩ
绝缘电阻: 5000MΩ/DC1000V
耐电压 : AC2000V/1Min
- **机械性能**
温度范围: -40°C~+105°C



8EDGVCB-5.0
8EDGVCB-7.5



Pitch:5.0mm,7.5mm;Poles:2P~24P

- **Material**
Pin header : Brass, Tin plated
Housing : PA66, UL94V-0
- **Electrical**
Rated voltage : 300V
Rated current : 15A
Contact resistance : 20mΩ
Insulation resistance : 5000MΩ/DC1000V
Withstanding voltage: AC2000V/1Min
- **Mechanical**
Temp.Range : -40°C~+105°C
- **材质及电镀**
焊针 : 黄铜, 镀锡
塑件 : PA66, UL94V-0
- **电气性能**
额定电压: 300V
额定电流: 15A
接触电阻: 20mΩ
绝缘电阻: 5000MΩ/DC1000V
耐电压 : AC2000V/1Min
- **机械性能**
温度范围: -40°C~+105°C